



# RULES

## NATIONAL PLOUGHING ASSOCIATION

### 2024/2025



# 2024/2025

## PROGRAMME OF PLOUGHING CLASSES 2024

### **TUESDAY 17TH SEPTEMBER:**

- 3 FURROW Conventional Senior & Junior Classes
- Under 28 Conventional Senior & Junior Plough Classes
- Under 21 Conventional Senior & Junior Plough Classes
- Under 28 Reversible Plough Class
- Intermediate Conventional Plough Class
- Intermediate Reversible Plough Class
- Under 40 Horse Plough Class
- Novice Reversible Plough Class
- European Vintage Ploughing Contest (Day 1)

### **WEDNESDAY 18TH SEPTEMBER:**

- Senior Conventional Plough Class (Day 1)
- Senior Reversible Plough Class (Day 1)
- Farmerette Conventional Plough Class
- Novice Conventional Senior, Intermediate & Junior Plough Classes
- Senior Horse Plough Class
- Vintage Single Furrow Mounted Plough Class
- Vintage Single Furrow Pedestrian Tractor Class
- European Vintage Ploughing Contest (Day 2)
- Loy Digging

### **THURSDAY 19TH SEPTEMBER:**

- Senior Conventional Test Match (Day 2)
- Kverneland Reversible Test Match (Day 2)
- Junior A & B Conventional Plough Classes
- Standard 3 Furrow Reversible Plough Class
- Macra 2 Furrow Conventional Plough Class
- Special Horse Plough Class
- Vintage 2 Furrow Mounted Plough Class
- Vintage 2 Furrow Trailer Plough Class

# TIME SIGNALS

## FOR NATIONAL PLOUGHING CONTEST

10:30am	All Ploughing Competitions Commence
11:00am	Stop for Judging of Opening Split
11:40pm	Restart
2:20pm	Ten Minute Warning Signal
2:30pm	All Ploughing Competitions Finish

**Fog Horns will be used for time signals so please listen carefully for them during the competition.**



## RULE CHANGES 2024/2025 NATIONAL PLOUGHING CONTEST

### Page 3:

11.b. If a Supervisor, Judge or Steward receives verbal abuse from a competitor, or their helper, the competitor will be penalised 30 marks for misconduct. There must be a second person to witness the misconduct and there will be no warning for a penalty of misconduct.

### Page 4:

18. Due to the ongoing inclement weather conditions, Competitors will only need to qualify from their county competition in order to participate in the 2024 All Ireland. This is for the 2024 National Ploughing Championships only.

### Page 6:

25.

(c) In the Farmerette, Macra, U21 and Novice, helper is also allowed to erect and remove sighting poles and to measure first 2 rounds of cast off only and lift plough on headland, for final (sole) furrow. Opening Split must be done in this class. Helper must not go on ploughed ground without permission from Chief Supervisor. Penalty: 10 marks.

(d) Farmerette, Macra, U21 and Novice competitors who have drawn end plots to measure off before contest starts or during the four hours allowed. Helper to erect and take down marking poles and measure cast off. (No extra time allowed)

### Page 6:

29. Extra time may be requested only in case of a mechanical breakdown or a situation beyond the control of the competitor or the organisers. Maximum time allowed 1 hour. After 15 minutes delay Supervisor to check with competitor on how much longer they will be. If delay is longer than 15mins the neighbouring competitor, in consultation with Supervisor, may erect poles and cast off.

# GENERAL RULES & REGULATIONS

## NATIONAL PLOUGHING CONTEST

- 1a. Membership of the NPA Ltd., As shall be prescribed from time to time by Articles of Association of N.P.A. Ltd.
- 1b. A person is only permitted to be a member of one ploughing club. He/She may however be a member of a club and a county association.
2. **Venue:**  
The venue of the National Ploughing Championships shall be selected by the Directors of the N.P.A. Ltd.
3. The Directors of the N.P.A. reserve the right to alter, amend, delete or add to the Rules at their discretion at any time, except during the four weeks preceeding or during the Championships.
4. Religious beliefs be adhered to and if Sunday Ploughing is not acceptable to all denominations, it should not be held. If this rule is violated, no competitors will be accepted from that county at the National Championships.
5. **Resident:**  
A competitor shall be a born native of the county for which he or she competes or shall be working resident in the county for not less than 3 months prior to the date of the qualifying contest.
6. **Age:**  
No competitor under the age of 16 is permitted to plough in a match or be present on the plot run under NPA rules. Competitors taking part in tractor ploughing must have a valid driving licence.
7. **Identification:**  
Competitors must display identification stickers which are provided.
8. **Cups and Trophies:**  
Will be presented to the winners at Competitor's Banquet on Sunday 6th October 2024. Cash Prizes will be sent by post one month after Championships.
9. **Bonds:**  
The custody of any Perpetual Cup or Trophy may be given to a successful competitor (or his representative) who shall provide such security as may be demanded for the return of such Cup or Trophy in good condition, or its value when requested by the National Ploughing Association.
10. Competitors are permitted to go only on one International Ploughing Competition trip in the year.
- 11.a. **Misconduct:**  
Any Competitor or known Supporter, so misconducting himself or herself at the National, County or Parish Ploughing competitions, meetings or associated activities, as to bring discredit on the Organisation, shall be reported to the Council of the N.P.A. who shall take such action as may be deemed advisable.
- 11.b. If a Supervisor, Judge or Steward receives verbal abuse from a competitor, or their helper, the competitor will be penalised 30 marks for misconduct. There must be a second person to witness the misconduct and there will be no warning for a penalty of misconduct.
- 12.a. **Draw for Plots:**  
Drawing for plots shall be conducted each year by the Managing Director of N.P.A.
- 12.b. At National Championships – no competitor is permitted to change plot unless a decision is made to do so by the NPA consultants.
13. **Judges:**  
(a) The Directors of the N.P.A. shall select the Judges.



- (b) At county and parish levels, one judge in every three can be from the County.
- (c) Judges for qualifying matches must be listed on the Panel of Judges.
- (d) Judges at national level must have experience of judging at other ploughing competitions and be on the panel of Judges.
- (e) At national level, if there is a junior judge on the panel of judges he/she does not have an input into the results.
- (f) Judges decision at national and local level is final and binding.

#### 14. Method of Judging:

The Judge shall assess the quality of the ploughing in accordance with the method of scoring as decided upon and required by the N.P.A.

#### 15. Supervisors:

The N.P.A. shall appoint a Chief Supervisor who will brief and allocate positions to Supervisors on days of the Contest.

Supervisors will issue one warning only after which points will be deducted for breach of any rule. Some Rules do not carry any warning.

#### 16. Selection of Competitors For National Event:

- (a) Counties will have the right to arrange their own classes. Competitors securing highest marks in the County shall be selected to represent their county.
- (b) At County/Club level a competitor must declare what class he/she is competing in before competition season starts. Competitor can only declare one class for the entire ploughing season.
- (c) Competitors qualifying for All Ireland must be paid up members of Affiliated Club or County.

#### 17. ONE COMPETITOR / ONE CLASS

One Competitor / one class. Exemption to this is as follows;

- a) Qualifications from the Senior Conventional / Reversible to Test Match.
  - b) Qualifications from the Under 28 Conventional / Reversible, Intermediate Conventional /Reversible to the Senior Class on Wednesday.
  - c) Horse Classes.
  - d) Visitors Classes.
- 18. Due to the ongoing inclement weather conditions, Competitors will only need to qualify from their county competition in order to participate in the 2024 All Ireland. This is for the 2024 National Ploughing Championships only.
  - 19. Competitors who do not qualify from their County competitions cannot take part in the All-Ireland Ploughing Championships.
  - 20. For both the Senior Conventional Test Match and the Kverneland Reversible Test Match on Thursday, in the event that the top two placed competitors in the U28 and in the Intermediate do not wish to go forward to the Test Match the option is not open for 3rd place competitor.
  - 21. Grading:  
Based on individual merit and performance.
- (a) In the Senior Conventional Plough Class, from 2024 results, no competitor will be coming down from Senior.
  - (b) In the Intermediate Conventional Plough Class, the top placed competitor will be graded Senior in 2025 and the last placed competitor will be graded Junior A in 2025.
  - (c) In the Junior A Conventional Plough Class the top placed competitor will be graded Intermediate in 2025. The last placed competitor will be graded Junior B in 2025.
  - (d) In the Junior B Conventional Plough Class the top placed competitor will be graded Junior A in 2025.

- (e) In the Senior Reversible Plough Class, the last placed competitor will be graded Intermediate in 2025.
- (f) In the Intermediate Reversible Plough Class the top placed competitor will be graded Senior in 2025.
- (g) All other Competitors who compete at the 2025 All Ireland are graded at the grade they ploughed in.
- (h) If a competitor does not qualify 1st, 2nd or 3rd in the county qualifying matches 2024/25 then he/she is not eligible to plough in NPC 2025.
- (i) If a competitor does not plough for a number of years and returns to plough his/her grade will be what he/she was last graded.
- (j) **UNDER 28 CONVENTIONAL SENIOR & JUNIOR, UNDER 21 CONVENTIONAL SENIOR & JUNIOR**

#### **GRADED BY COUNTY**

**Grading for Under 21 Conventional** for 2025 NPC from 2024 results; Last placed County in Senior will be graded Junior. Top placed County in Junior will be graded Senior.

**Grading for Under 28 Conventional** for 2025 NPC from 2024 results; Last placed County in Senior will be graded Junior. Top placed County in Junior will be graded Senior.

- (k) Grading when a competitor is no longer eligible to plough U-28 Conventional:
- Under 28 Conv. Senior Grade - when no longer eligible will be graded Intermediate Conventional.
  - Under 28 Conv. Junior Grade - when no longer eligible will be graded Junior A Conventional.
- (l) Grading when a competitor is no longer eligible to plough U-28 Reversible:
- Will be graded Intermediate Reversible.

- (m) **3 FURROW Senior & Junior (previously 3 Furrow Match & Standard 3 Furrow) Graded by County** Grading from 2024 results for NPC 2025, bottom County in Senior will be graded Junior and top County in Junior will be graded Senior.

Trial for 2023 & 2024; County may enter two competitors in this class. Second competitor will be graded by NPA Executive Committee.

#### **22 Entry:**

Submission of an entry will be regarded as an acceptance of all Rules and Regulations and the preparedness of the competitor to observe them or submit to penalties for breaches of same.

#### **23. Consultants:**

The N.P.A. shall appoint Directors to be known as the Consultants. To whom may be referred any question, or the interpretation of any rule, or order, on the day of the Contest, and the decision of these Directors, or the majority of them, shall be final and binding on all parties. They will also inspect ploughs on days of the Contest.

#### **24. Sighting Poles:**

for sighting and setting out, three poles only may be used inside wire. Anything additional outside wire constitutes an infringement. **Penalty: 5 marks.** Sighting poles must be sighted in line "V" where plot number is provided by N.P.A. **Penalty: 10 marks.**

#### **25. Helpers:**

- (a) A helper will be allowed to erect and remove sighting poles but not allowed to wrench or adjust plough on headlands during contest and must remain outside wire. **Penalty: 10 marks.**
- (b) In the Farmerette, Macra, Under 21 and Novice a helper wearing an official armband may remain inside wire provided he/she does not go inside scribe mark. He or she can advise, and adjust plough, on headland only. If helper wishes to assist on both headlands, he/she must use



the recognised pedestrian route only.  
**Breaches 10 marks first offence, 5 marks each offence afterwards**

- (c) In the Farmerette, Macra, U21 and Novice, helper is also allowed to erect and remove sighting poles and to measure first 2 rounds of cast off only and lift plough on headland, for final (sole) furrow. Opening Split must be done in this class. Helper must not go on ploughed ground without permission from Chief Supervisor.  
**Penalty: 10 marks.**
- (d) Farmerette, Macra, U21 and Novice competitors who have drawn end plots to measure off before contest starts or during the four hours allowed. Helper to erect and take down marking poles and measure cast off. (No extra time allowed)

## 26. Type of Plough:

- (a) The type of plough is left to the discretion of the competitor. There will be a stipulation that the plough shall not be fitted with any extraneous attachments the function of which is to treat or fashion the slice after being turned by the plough. Any extraneous attachment which is applied upon the slice or furrow is regarded as a subsequent tillage tool and is additional to the plough. Only one flat tailpiece to each mould-board is permitted.
- (b) A plough body must not be removed or otherwise adjusted in such a way as to make the plough in effect a single furrow mould-board. One body may be used opening or finishing, provided both bodies remain in position as a complete two furrow mould-board fitted with shares, disc-coulters, skimmers.  
**Penalty: 10 marks.**
- (c) There is no restriction on the changing of disc-coulters or shares for the making of the "Opening" or "Finish".
- (d) i) Use of GPS, laser beams, cameras, electronic visual aids not allowed.  
ii) Use of extraneous attachments to the tractor that manipulate or fashion the furrow not allowed.

iii) Only 3 working ploughing wheels on conventional plough allowed, also 3 wheels per working side in reversible.  
**Penalty: 5 Marks**

- (e) If using a 3 furrow plough it shall be permissible to raise only one body. If using a 4 furrow plough it shall be permissible to raise only 2 bodies to an out-of-action position when ploughing the Opening Split only. **Penalty: 20 marks.**
- (f) Competitors who qualify for Test Match are not obliged to use the same plough on both days.

## 27. Depth of Ploughing:

Depth of ploughing to be measured approx. 10cm from furrow wall.

### MINIMUM DEPTH

For all grassland.....18cms  
For all stubble.....18cms  
For each cm or part of,  
less than 18cms ..... 2 marks

If the competitor does not make adjustment after penalty being imposed, he/she is liable for an **additional penalty of 4 marks.**

Measuring team appointed by N.P.A. In all Classes reduction in depth allowed during last three rounds.

**28.** Time allowed for ploughing shall be 3 hours and 20 minutes for lea and stubble. This includes the 30 minutes for opening split.

## 29. Extra Time:

Extra time may be requested only in case of a mechanical breakdown or a situation beyond the control of the competitor or the organisers. Maximum time allowed 1 hour. After 15 minutes delay Supervisor to check with competitor on how much longer they will be. If delay is longer than 15mins the neighbouring competitor, in consultation with Supervisor, may erect poles and cast off.

Competitors who have drawn end plots will not be allowed extra time for measuring off, but must do so during the



40 minutes break while the opening splits are being judged. Helper allowed to erect and take down marking poles.

### 30. Finish:

A 10 minute warning signal will be given before finishing time. When the Final Signal is sounded, a competitor must have their plot fully completed and their tractor and plough outside scribe mark on headland. If NOT finished he/she will **lose 5 marks for every minute** or part of a minute he/she is late.

31. Competitors after entering the furrow are only allowed to come back to adjust plough. No walking on furrow permitted when plot is completed. **Penalty: 10 marks.** This rule does not apply to Under-21, Farmerette and Novice Classes.

### 32. Penalties:

- (a) Practising on any part of Ploughing Championships site – **Penalty 10 marks.**
- (b) Rolling of Ins and Outs – **Penalty 10 marks.**
- (c) Competitors must enter front plough on the scribe mark. Ploughing outside scribe mark – **Penalty 5 marks.**
- (d) Removing plough – **Penalty 10 marks.**
- (e) Practising on or damaging a Championship Plot – **Disqualification.**
- (f) Getting down off tractor on ploughed ground – where a two door tractor is in use – **Penalty 5 marks.**
- (g) Footing, handling, walking on ploughing or use of fork or spade or any other implement on ploughed ground or getting off tractor on ploughed ground – **Penalty 5 marks for each offence.**
- (h) A competitor may lose maximum of 50 marks for breaches of rules, plus 5 marks for every minute or part there of if late finishing furrow.
- (i) If competitor starts before starting time there will be **penalty of 5 marks.**

- (j) Penalty of 25 marks will be imposed on competitors who park or drive their vehicles on any part of the competition grounds. There will be an assembly yard provided for all equipment.
  - (k) Competitor allowed to remove loose material but pulling or raking stubble not allowed. **Penalty: 10 marks.**
  - (l) Competitors or persons acting on their behalf, known to be working on their plot prior to the competition will be eliminated from the competition.
  - (m) If a competitor walks across any plot before judging is finished, he/she will be **liable for a penalty of 10 marks without any warning.** The supervisor has authority to apply this penalty and in his absence the Judge or NPA Director has authority.
  - (n) If a Supervisor, Judge or Steward receives verbal abuse from a competitor, or their helper, the competitor will be penalised 30 marks for misconduct. There must be a second person to witness the misconduct and there will be no warning for a penalty of misconduct.
33. **Measuring:**  
Where a competitor does not plough a full plot. **Penalty: 10 marks.**
34. **Wheel Mark:**  
In all classes, Penalty for faulty wheel mark: will be judged accordingly by the judges.
35. Tractors parked just outside ploughing is unacceptable. All tractors should be parked back at rope/twine when ploughing is finished.
36. **Weights:**  
Weights will be allowed on all types of ploughs in all classes.
37. **Idle Runs:**  
Maximum of two idle runs allowed in Conventional Ploughing. **Penalty of 5 marks per run after that.** No idle runs permitted in Reversible Ploughing – **Penalty 10 marks.**

38. Extra tractor wheels not mounted on the tractor must be laid down flat on the headland.

**39. Final Decision:**

Any question arising and not provided for in these rules will be decided by the governing Board of the National Ploughing Association whose decision shall be final and binding. The NPA reserve the right to take whatever action deemed necessary for breach of any rules or regulations.

**40. Objections:**

An objection must be lodged in writing to the Secretary of the NPA accompanied by the fee of €10 not later than one hour after the results have been announced. The Competitor or one person nominated by the County concerned may request a meeting with the Consultants to support his/her objection and the National Ploughing Executive Committee will make the final decision within 10 days.

**CONVENTIONAL PLOUGHING RULES**

**- ALL OTHER RULES APPLY WHERE APPLICABLE**

1. All competitors must start ploughing from the same end with highest number to their right hand side.

**2. (a) Opening Split:**

In both lea and stubble ploughing, competitors must make an opening split. The riplings so turned out must be well cut through and no land left turned in the middle of the ridge. Thirty minutes will be allowed for opening split when all ploughing must cease for 40 minutes (judging time). Competitor must have opening completed and his tractor and plough outside scribe mark on headland when signal is sounded. **Penalty for late finish of Opening Split: loss of 5 marks per minute or part thereof.**

(b) Riplings:  
Rolling of riplings with tractor are not allowed. Penalty for rolling: 10 marks.

**3. Middle:**

In lea and all 2 furrow stubble classes, a middle shall consist of 15/16 sods. The remainder of plot shall be split to the higher number. Depth measurements must not be taken until a competitor has completed 3 rounds (12) sods and must not be taken on last three rounds of furrow. **Penalty: 10 marks.**

In the 3/4 Stubble Classes a middle shall consist of 17/18 sods. **Penalty: 10 marks.**

**4. (a) Straightening:**

Only 2 rounds allowed on "Cast-Off" side, 3 markers allowed at discretion of competitor for each round for this purpose only. If more than 3 markers **penalty of 5 marks.**

(b) A competitor may plough one round and drive on his/her own ploughing plot. Must not damage neighbours plot. **Penalty: 5 marks.**

**5. Furrow:**

(a) The final furrow will be black-sod or sole furrow. Only one wheel mark allowed in the furrow and this must be on the cast off side. Plough wheel mark must be within tractor wheel mark. Any other wheel mark on the plot is a fault and will be judged accordingly by the judges.

(b) The light sod at cast-off side of final furrow should be visible from end to end. There should be no wheel mark on this sod except in the 3/4 furrow classes at the discretion of competitor. Penalty for faulty wheel mark: will be judged accordingly by the judges.

(c) The black sod must be turned towards the crown or middle. Penalty: 20 marks.

**6. Switching of Ploughs:**

Not allowed unless permission has been obtained from the Consultants or Supervisors.

**7. Scale of Marks**

for U-21, 3 Furrow, Macra, Vintage, Farmerette, Junior and for Conventional - Senior, Intermediate, Under 28, and Novice Championship.

**OPENING SPLIT**

- Neatness - Cut Through Uniformity of Furrows.....10 marks
- Straightness.....10 marks

**MIDDLE**

- Uniformity of Furrows.....10 marks
- Weed Control.....10 marks
- Straightness.....10 marks

**GENERAL WORK**

- Skimming.....10 marks
- Packing and Firmness.....10 marks
- Soil made available (Flesh).....10 marks
- Uniformity.....10 marks
- Straightness.....10 marks

**FURROW**

- Uniformity of Furrows.....10 marks
- Weed Control.....10 marks
- Straightness.....10 marks

INS AND OUTS.....10 marks

**GENERAL APPEARANCE**

All aspects and workmanship clearly defined and uniform furrows.....10 marks

**GROSS TOTAL.....150 marks**

8. In the event of a tie all aspects of middles and furrows, in all classes, will be totalled and competitors gaining highest combined marks for middles and furrows will be placed in order of merit.

**9. RULES PER CONV. PLOUGHING CLASSES****(Senior, Intermediate, Junior Grades)**

- a) Individual ploughman/woman is graded according to where they ploughed in 2023 or according to if they are subject to regrading from 2023 NPC results.
- b) 3 competitors per County permitted over the 3 classes - Junior, Intermediate & Senior. 4 competitors (at least) must plough in Senior Classes at County level if a 3rd competitor is to qualify. In weaker Counties where there are only 2 or 3 to plough the max number will be allowed

to go to the All-Ireland once application and approval is received from NPA.

- c) If a competitor does not qualify 1st, 2nd or 3rd in the county qualifying matches 2023/2024 then he/ she not eligible to plough in NPC 2024.
- d) If a competitor returns to plough after number of year's absence, he/she will plough at their last grade.
- e) If competitor is a newcomer they will enter at a grade lower than the lowest grade competitor already entered in their County for that year.
- f) The top two placed competitors in the Intermediate Conventional Class (from the Republic of Ireland) and the top two placed competitors in the Under 28 Conventional Class - Senior Grade (from the Republic of Ireland not including non ROI competitors) will qualify for the Senior Conventional Class on Wednesday.
- g) **NATIONAL SENIOR CONVENTIONAL CHAMPION:**  
The top ten placed competitors (from Republic of Ireland) in the Senior Conventional Class on Wednesday will plough in the Senior Conventional Test match on Thursday. Two additional plots are reserved for Northern Ireland competitors in the Test Match (should they qualify in the top 10).
- h) From the National Ploughing Championships Results 2024, the Competitor with the highest combined marks from the Senior Conventional Class on Wednesday and the Senior Conventional Test Match on Thursday (from Rep. of Ireland) will be NATIONAL SENIOR CONVENTIONAL CHAMPION.
- i) The Competitor with the highest combined marks from the Senior Conventional Class on Wednesday and the Senior Conventional Test Match on Thursday (from Rep. of Ireland) will qualify for the next World Contest.



- j) The 2nd & 3rd placed competitors with the highest combined marks from the Senior Conventional Class on Wednesday and the Senior Conventional Test Match on Thursday (from Rep. of Ireland) will qualify to go to the next Northern Ireland Competition.
- k) The winner of the Intermediate Conventional Plough Class will qualify to go to the next 5 Nations.
- l) No age limit in this class.

### **UNDER 28 CONVENTIONAL**

- a) County may enter only one competitor in this class.
- b) Competitors in this class must be over 21 years of age and under 28 years of age on the 1st January of the competition year. Exception: Where a County has two U21 and no U28 competitor – one can enter this class and revert back to Under-21 if he/she so wishes.
- c) The top two placed competitors in the Under 28 Conventional Class - Senior Grade (from the Republic of Ireland) will qualify for the Senior Conventional Class on Wednesday. These two competitors can compete in Senior Conventional and then revert back to Under-28 Conventional - Senior Class.
- d) This class is confined to competitors who have not yet won an All- Ireland title in Senior, Intermediate or Junior 2 Furrow Tractor Class.

### **UNDER 21 CONVENTIONAL**

- a) County may enter only one competitor in this class.
- b) Competitors in this class must be under 21 years of age on the 1st January of the competition year.
- c) This class is confined to competitors who have not yet won an All-Ireland title in Senior, Intermediate or Junior 2 Furrow Tractor Class.

### **3 FURROW SENIOR & JUNIOR (previously 3 Furrow Match & Standard 3 Furrow)**

- a) County may enter two competitors in this class. Trial for 2023 & 2024 year.

### **FARMERETTE**

- a) County may enter only one competitor in this class.

### **MACRA**

- a) County / Region may enter only one competitor in this class.
- b) Competitor has the option of using a match or standard plough.
- c) Competitor cannot have previously represented their County at National Level. Exception; competitors who have competed in Novice Class at National level can compete in Marca Class at All Ireland. Competitor cannot revert back to Novice after competing in Macra at All Ireland.
- d) Competitor can enter this competition as many times as they wish, but once they win the National Macra Class twice, they are no longer eligible to take part in this class.

### **NOVICE 2 FURROW CONVENTIONAL**

- a) County may enter one competitor in the Conventional Class.
- b) Competitors in this class must be under 35 years of age on the 1st January of the competition year.
- c) This class is confined to first time competitors who have not yet competed for an All-Ireland title. Exception: A competitor can compete in the Novice Class a maximum of three years, however if he/she wins the National Novice Class, he/she is excluded from competing again.
- d) National Novice Class is limited to 2 Furrow Conventional.

### **VISITORS**

- a) Two competitors from Northern Ireland will be accepted into the Senior Conventional Class.

- b) Competitors taking part in another class can carry their marks from that class to the Visitors Class.

## REVERSIBLE PLOUGHING RULES - ALL OTHER RULES APPLY WHERE APPLICABLE

### 1. Sighting and Setting Out:

- a) Three sighting poles only may be used. One pole may be sighted on the headland (inside the wire) of the plot. **Penalty 5 marks.**
- b) The use of plot number markers, guidelines, foot-marks, stones or any guide other than the three sighting poles is not allowed. **Penalty 5 marks.**
- c) Competitors may have assistance to place and remove the sighting poles. No other assistance allowed during the contest. **Penalty 10 marks.**

### 2. Opening Furrow:

- a) In Reversible Ploughing competitors must make a single opening furrow at the setting out.
- b) The opening furrow is a single furrow ploughed from the start using the rear right-body.
- c) Time allowed for the completion of the opening furrow – 30 minutes.
- d) Failure to complete the opening furrow in the permitted time will be penalized. Penalty loss of 5 marks per minute or part thereof.

### 3. Method of Ploughing:

- a) Scratch mark for butts – this scratch mark must be made whilst the opening furrow is being judged. The scratch mark for the butts should be made parallel to the opening furrow to allow 19 or 20 furrows for two furrow ploughs or 20 or 21 furrows for three furrow ploughs from the opening furrow to the butts. Three sighting poles may be used for making the scratch mark. Assistance is allowed to place and remove the sighting poles. No handling or rolling of the scratch allowed. Either left or right hand bodies may be used for making the scratch mark.
- b) Two furrow ploughs – Ploughing must commence using the left hand bodies and after completing eight furrows which shall constitute the Crown, the competitor then

proceeds to plough against the neighbour with the next highest plot number. **Penalty 10 marks.**

- c) Three furrow ploughs – Ploughing must commence using the left hand bodies and after completing nine furrows which shall constitute the Crown, the competitor then proceeds to plough against the neighbour with the next higher plot number. **Penalty 10 marks.**
- d) On completion of the Crown the competitor then ploughs all the land between the next competitors plot and his scratch mark, thus completing the butts.
- e) i) Competitors must use all plough bodies when ploughing the finishing furrows. It is allowed to use only one plough body when ploughing the connecting furrow.
- ii) Two furrow ploughs – the finishing furrows shall be the remaining 19 or 20 furrows between the butts and the finishing furrow, including the connecting furrow. All competitors must make 10 runs to conclude the finishing furrows. The connecting furrow may be ploughed showing one or two furrows but with all bodies in a working position. No further single furrows across the whole field are permitted. **Penalty 5 marks.**
- iii) Three furrow ploughs – the finishing furrows shall be the remaining 20 or 21 furrows between the butts and the finishing furrow, including the connecting furrow. All competitors must make 7 runs to conclude the finishing furrows. The connecting furrow may be ploughed showing two or three furrows but with all bodies in a working position. No further single furrow (two bodies in work) across the whole field are permitted. **Penalty 5 marks.**
- f) Attachments are not allowed when ploughing the connecting furrow. **Penalty 5 marks.**
- g) The competitor then starts at the scratch mark for the butts and ploughs to a finish at the cut of the opening furrow. Sighting poles or any other guide are not allowed when ploughing the connecting furrow at the scratch mark for the butts. **Penalty 5 marks.**
- h) The final furrow should be cut close to the opening furrow. There should be no land

left unploughed and no part of the first furrow of the start re-ploughed. The first furrow and the final furrow should be the same height.

- i) Only one tractor wheel mark allowed at the finish. Plough wheel mark must be within tractor wheel mark. Any other wheel mark on the plot is a fault and will be judged accordingly by the judges.
- j) Alternative bodies must be used at all times when ploughing plot.
- k) Idle runs are not permitted. Penalty - 10 marks per run.
- l) In the event of a tie, the marks for the Crown and Straightness of Crown, and the marks for the finishing Furrow and Straightness of finishing Furrow to be totalled. If still a tie plough-off to be arranged.
- m) Pressers at same angle as Mouldboard. Diagram as for reversible.

#### 4. RULES PER REV. PLOUGHING CLASSES

##### (Senior, Intermediate Grades)

- a) Individual ploughman/woman is graded according to where they ploughed in 2023 or according to if they are subject to regrading from 2023 NPC results.
- b) 3 competitors per County permitted over the 2 classes - Intermediate & Senior. 4 competitors (at least) must plough in Senior Classes at County level if a 3rd competitor is to qualify. In weaker Counties where there are only 2 or 3 to plough the max number will be allowed to go to the All-Ireland once application and approval is received from NPA.
- c) If a competitor does not qualify 1st, 2nd or 3rd in the county qualifying matches 2023/2024 then he/she not eligible to plough in NPC 2024.
- d) If a competitor returns to plough after number of year's absence he/she will plough at their last grade.
- e) If a competitor is a newcomer he/she will enter at Intermediate Grade.
- f) The top two placed competitors in the Intermediate Reversible Class (from the Republic of Ireland) and the top two placed competitors in the U-28 Reversible

Class (from the Republic of Ireland) will qualify for the Senior Reversible Class on Wednesday.

#### g) NATIONAL SENIOR REVERSIBLE CHAMPION:

The top ten placed competitors (from Republic of Ireland) in the Senior Reversible Class on Wednesday will plough in the Kverneland Reversible Test match on Thursday. One additional plot is reserved for the Northern Ireland competitor in the Test Match (should they qualify in the top 10).

- h) From the National Ploughing Championships Results 2024, the Competitor with the highest combined marks from the Senior Reversible Class on Wednesday and the Kverneland Reversible Test Match on Thursday (from Rep. of Ireland) will be NATIONAL SENIOR REVERSIBLE CHAMPION.
- i) The Competitor with the highest combined marks from the Senior Reversible Class on Wednesday and the Kverneland Reversible Test Match on Thursday (from Rep. of Ireland) will qualify for the next World Contest.
- j) The 2nd & 3rd placed competitors with the highest combined marks from the Senior Reversible Class on Wednesday and the Kverneland Reversible Test Match on Thursday (from Rep. of Ireland) will qualify to go to the next European Reversible Competition.
- k) The 4th place competitor will qualify for next Northern Ireland Competition.
- l) The winner of the Intermediate Reversible Plough Class will qualify to go to the next 5 Nations.
- m) No age limit in this class.
- n) This competition is restricted to 2/3 furrow ploughs.

#### UNDER 28 REVERSIBLE

- a) County may enter two competitors in this class - NO GRADING
- b) Competitors in this class must be under 28 years of age on the 1st January of the competition year.
- c) The top two placed competitors in the U-28 Reversible Class (from the Republic of Ireland) will qualify for the Senior Reversible Class on Wednesday. These two competitors can compete in Senior Reversible and then revert back to Under-28 Reversible Class.

- d) This competition is restricted to 2/3 furrow ploughs.

### STANDARD 3 FURROW REVERSIBLE

- a) County may enter only one competitor in this class.
- b) This competition is restricted to standard 3 furrow reversible ploughs.
- c) Previous competitors at National level not eligible for Standard 3 Furrow Reversible, exempt Macra.
- d) A competitor may win this class a maximum of 3 times, then he / she must opt out.

### Standard Reversible Class:

In this class ploughs will be inspected before and during the competition.

- No age limit.
- Hydraulics allowed on plough.
- Hydraulic top Link allowed.
- Wheel allowed. Open split and ins and outs must be done.
- Vari-widths allowed.
- No extra tail piece.
- No special shares.
- No modifications.
- For the purpose of the Standard Reversible Classes Number 25 body not allowed. **Penalty: 10 marks.**

### NOVICE 2 FURROW REVERSIBLE

- a) County may enter one competitor in the Reversible Class.
- b) Competitors in this class must be under 35 years of age on the 1st January of the competition year.
- c) This class is confined to first time competitors who have not yet competed for an All-Ireland title. Exception: A competitor can compete in the Novice Class a maximum of three years, however if he/she wins the National Novice Class, he/she is excluded from competing again.
- d) National Novice Class is limited to 2 Furrow Reversible.

### VISITORS

- a) One competitor from Northern Ireland will be accepted into the Senior Reversible Class.
- b) Competitors taking part in another class can carry their marks from that class to the Visitors Class.

## EXPLANATORY NOTES ON THE REVERSIBLE PLOUGHING RULES

### THE OPENING FURROW - Reversible Ploughing:

The depth of the scratch should be such that the furrow slice is cut completely free from the under-soil surface throughout the whole length of the opening furrow. The scratch should be straight, neat and uniform in its whole length.

### THE CROWN/START - Reversible Ploughing:

All land must be cut through. The first furrow of the crown should be turned into the opening furrow and the cut edge of the furrow should be level with the cut edge of the opening. The furrows in the crown should conform with the rest of the ploughing.

### WEED CONTROL:

- A. All stubble and grass must be completely buried beneath the furrows.
- B. The ploughing should be done in such a way that all roots are cut or torn off.
- C. Skimmers must be used.

### SEED BED:

Furrows should be properly turned so that sufficient soil is made available to produce a seed bed without pulling stubble or grass to the surface in the future cultivations.

### THE FINISH - Reversible Ploughing:

The final furrows adjoining the crown/start should be of equal height to the crown and there should be no unploughed or reploughed land.

### INS AND OUTS:

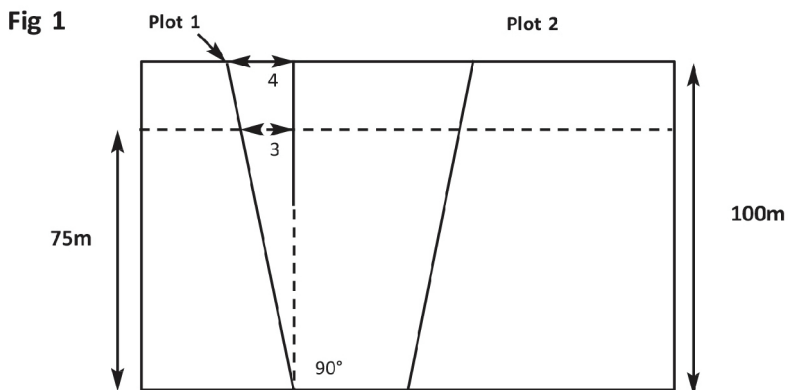
The front share should enter the ground at the headland scratch mark and the rear share should leave the ground at the headland scratch mark.

### GENERAL APPEARANCE:

- A. All furrows in the plot should be straight, clearly defined, uniform and wellturned with good weed control.
- B. Faulty ploughing done by the neighboring competitor should be corrected in the first and second runs adjoining the neighbor's plot. The tractor must not be driven on the ploughed land.

## MARKINGS FOR REVERSIBLE PLOTS

1. When setting out the plots the first plot must be squared and then offset to ensure that all plots are the same (See fig 1)

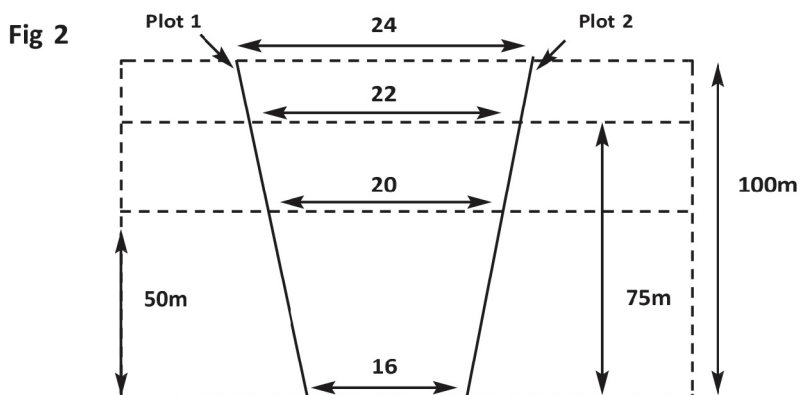


2. If plots are shorter than 100 meters the angle for butts must be maintained.

Example.

- a) If plot is 100m long, there must be an 8m difference between one headland and the other
- b) If a plot is 75m long, there must be a 6m difference between one headland and the other.
- c) If a plot is 50m long, there must be a 4m difference between one headland and the other.

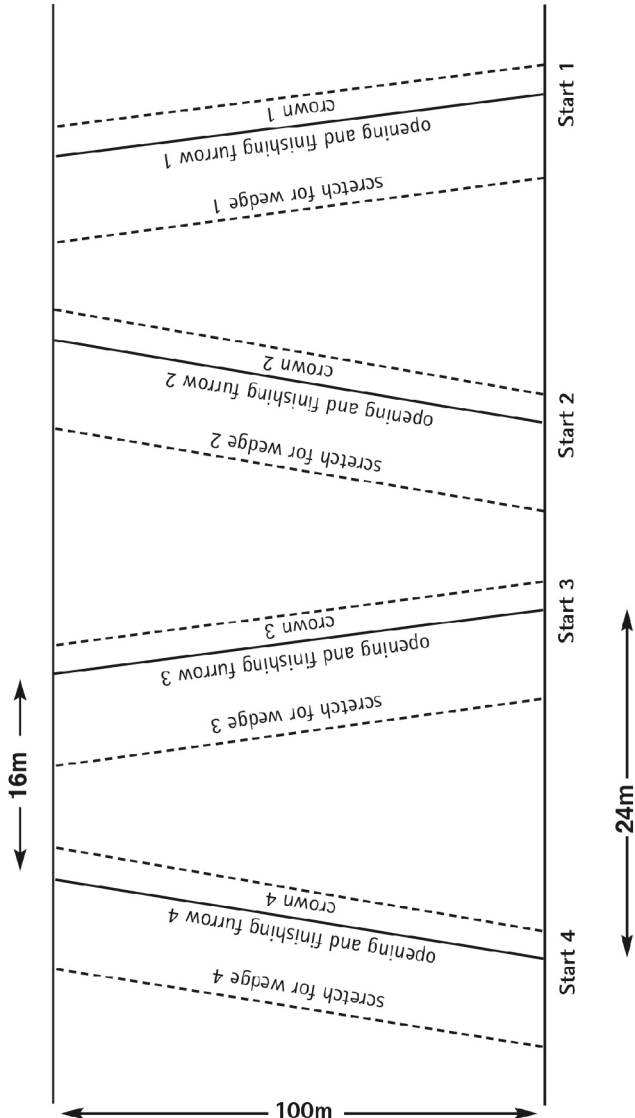
(See fig 2)





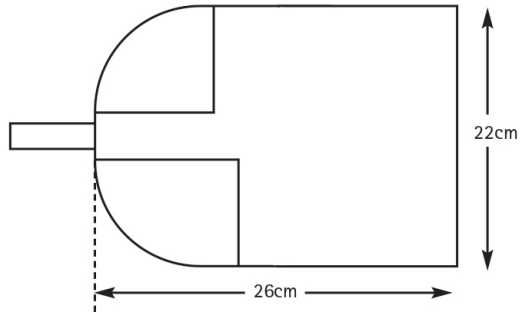
# LAYOUT OF PLOT REVERSIBLE PLOUGHS

Plotplan reversible ploughing, standard size 100m x 16/24m (not to scale)

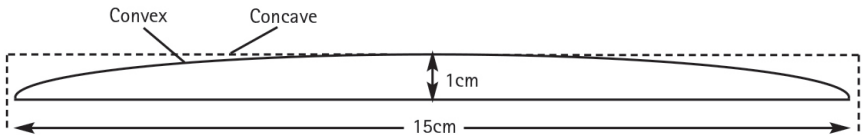


## SKETCH OF APPROVED TAILPIECE

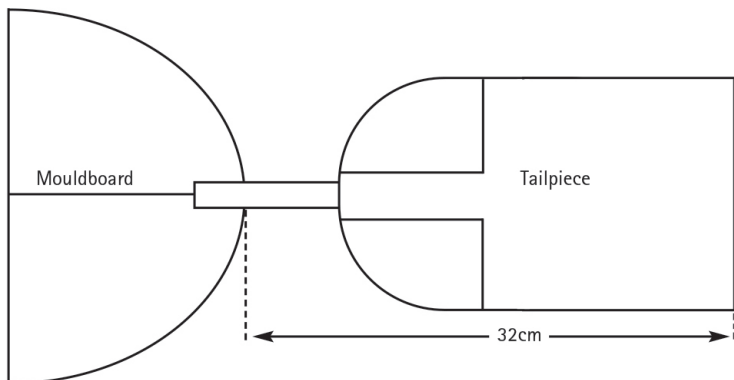
Maximum Length and Width



Ratio of Concave or Convex = 1-15



Maximum Overall Length from Mouldboard



## HORSE PLOUGHING CLASSES RULES - ALL OTHER RULES APPLY WHERE APPLICABLE

### 1. (a) Horse Ploughing Only:

Time allowed 4 hours. Middle, National Style, Furrow, black sod discontinued. Depth, minimum 6 inches but this does not apply for first or last three rounds. Horses must be provided by the competitors. Scribe sods are optional but in no more than two rounds and cannot be moved by hands or feet. Brushing of first two sods allowed but only once. Where a competitor has a split off 10 minutes will be allowed. Helper allowed to erect and take down marking poles. Depth and Time Penalty will apply as in all other classes. Last green sod to crown. Middle 10 sods.

- (b) Total number of people on horse ploughing plot is maximum of 3; this is to include 1 competitor and 2 helpers, one of which must remain on the headland.

### 2. MARKS FOR HORSE CLASS MIDDLE

- Uniformity of  
Furrows..... 10 marks
- Weed Control..... 10 marks
- Straightness..... 10 marks

### GENERAL WORK

- Skimming..... 10 marks
- Packing and Firmness... 10 marks
- Soil made available (Flesh)..... 10 marks
- Uniformity..... 10 marks
- Straightness ..... 10 marks

### FURROW

- Uniformity of Furrows..... 10 marks
- Weed Control..... 10 marks
- Straightness..... 10 marks

INS AND OUTS..... 10 marks

### GENERAL APPEARANCE

All aspects and workmanship clearly defined and uniform furrows..... 10 marks

GROSS TOTAL..... 130 marks

### 3. RULES PER HORSE PLOUGHING CLASS UNDER 40 HORSE, SENIOR HORSE, SPECIAL HORSE CLASSES

- a) Competitors in the UNDER 40 CLASS must be under 40 on the 1st of January of the competition year.
- b) In the Senior Horse Class, 1st, 2nd, 3rd, placed competitors are not eligible to compete in the Special Horse Class on Thursday.
- c) A County can enter 2 Horse competitors for each class.

### CONDITIONS OF NOVICE PLOUGHING DEVELOPMENT PROGRAMME

1. Entries to Novice Class must be first time competitors - exemption a competitor can compete in the novice class a maximum of 3 years. However if he/she wins National Novice class, he/she is excluded from competing again.
2. Match is confined to youths not over 35 years of age on 1st January of the competition year (and over 16 with a valid tractor driving licence).
3. One can only compete in Novice Match Programme for a maximum of 3 years.
4. Counties must have at least 3 competitors in the Novice Ploughing competition, this can be a mix of conventional and reversible competitors. Only one of these competitors must be competing for the first time. Counties can have any number of additional competitors after this, following rule no. 1 and 3 above.
5. Entries in the Novice match must be different entries than those in the Macra Class.
6. The Novice Match can be run by a County Ploughing Association or a Club designated by the County Association and a grant of €500 will be paid by NPA on receipt of completed Grant Application Form, breakdown of how €500 was spent on the Novice Match and submission of match scoresheet.

7. A county can also apply for a €100 grant towards visiting Judges. Novice Judges Claim Form must be completed by visiting Judges on day of match, signed by Co. Chairman / Sec. and returned to NPA with Novice Grant Application Form.
8. Judges must be from outside the County.
9. Novice Match must be held on a separate day from Club/County matches.
10. All clubs in the County must be given ample notice of the match and invited to send competitors.
11. All tractors used must display valid insurance disc.
12. Competitors must have a Tractor Driving Licence and present it on the day of competition.
13. The National Novice Class is limited to 2 Furrow Conventional / Reversible but County Novice Match is open to conventional / reversible and standard classes.
14. Novice competitors may plough in any County Match for practice purposes only - no points are awarded to competitor and practice matches do not contribute to qualification for National Novice Class at National event.
15. The winner of County Novice Conventional Class will qualify for All-Ireland where class will be graded Senior, Intermediate & Junior (pending number of entries). The NPA Executive Committee will decide grading.
16. The winner of County Novice Reversible Class will qualify for All-Ireland where class will be graded by NPA Executive Committee pending number of entries.
17. There must be a least 3 competitors competing in the Novice Conventional and Novice Reversible Classes at National level for the class to run.
18. **Applicable to Novice & U21 Conventional Plough Class Only:** If a County does not have an U21 competitor competing at the National Ploughing Championships, the runner up of the County Novice Match will be allowed to go forward as the U21 competitor for the County at the National event, providing they are a Novice competitor from the outset, are U21 on 1st January of competition year and that they have ploughed a 2nd qualifying match. If this competitor does not place in a prize money position in U21 Class at Nationals then they will be allowed revert back to Novice for the following year. However if they do place in a prize money position for the U21 competition at the Nationals then they cannot revert back to Novice. If the runner up of the County Novice ploughs in U21 at the Nationals, and is eligible to revert back to Novice the following year, their participation in the U21 class will count as one of the 3 years they are allowed to plough Novice.
19. At all Ireland, National Novice Reversible Class will take place on Tuesday and National Novice Conventional Classes will take place on Wednesday.
20. **Plough Grant for Winners of Novice Classes:** A €2,000 discount (excluding VAT) to winner of Senior, Intermediate & Junior Grades towards a new plough or demo match plough only bought through the NPA. If the competitor does not wish to avail of the discount his/her county can choose to draw down the discount towards the purchase of a plough.

A grant of between €1,000 & €2,000 (excluding VAT) towards the purchase of a second-hand plough. To apply for this discount competitors must have sourced plough themselves and submit application in writing to NPA Executive within 6 months of the competition with all relevant documentation. On receipt of application it will be reviewed by NPA Executive who will carry out necessary inspections and make final decision on whether plough is eligible for grant or not. If plough is eligible for grant, NPA Executive Committee will decide final amount following inspection of second hand plough.

If competitor draws down discount and wants to sell plough within 5 years, competitor must return discount received to the NPA and county must get first option to purchase the plough.

21. The second and third highest placed competitors in the National Novice classes will receive a medal.
22. Counties that have organized at least (consecutive) 3 Novice Matches may apply to NPA for a grant of €1,500 towards the purchase of a second hand plough or a grant of €2,000 towards the purchase of a new plough for county use. Counties can only apply once for this grant. This grant is in addition to the current €500 Novice Grant available.

#### **VINTAGE PLOUGHING CLASSES RULES - ALL OTHER RULES APPLY WHERE APPLICABLE**

##### **1. VINTAGE**

- a) County may enter only one competitor per Vintage Class (3 classes).

#### **VINTAGE PLOUGHING RULES UPDATED 2024 FOR CLUBS and ALL IRELAND**

#### **AS DRAWN UP BY THE VINTAGE PLOUGHING ASSOCIATION, AND IN COMPLIANCE WITH THE NPA.**

1. Competitors in All Ireland Competitions must be paid up members of the V.P.A.I.
2. Competitors must qualify from their own County. Minimum of one score sheet from own County must be used. Four official R.O.I score sheets must be submitted for selection purposes. Executive comm. have power to overrule on this if extra plots are available and competitor may have less than 4 sheets through no fault of his. Score sheets must be valid with date, venue, and judges signature very clear to reader.
3. Ploughs must be to original specification; boards must not exceed 45" (1145mm) from the tip of the point to rear of board or be not more than 11.5" (292mm) high (If larger board used can be proven vintage its o.k. otherwise penalties will be incurred.
4. Tail knives are allowed cutting at right angles to the sod, (max length 5" (127mm) behind the board. Std extensions to boards allowed but must be of original manufacturers design and size. (Original flat tailpieces.)
5. Sliding or adjustable drawbar on tractor is allowed (trailer class)
6. Tractors and Ploughs will be inspected before and during the competition and any extraneous items of equipment not supplied by manufacturer of tractor or plough or devices not regarded as original will incur penalty points.
7. Points may be fabricated if no supplier is available but must remain as close to the original as possible in size.
8. 30 minutes to be allowed in the event of a breakdown, or a replacement vintage tractor may be used, but the plough cannot be changed.
9. Tractors must be pre-1960 be TVO or diesel or single cylinder diesel and must be presented in rally condition.
10. Diesel tractors in manufacture up to 31st. Dec. 1959 will qualify now as a result of vote taken at A.G.M. 2012.
11. PLOUGHS MUST BE IN GOOD WORKING CONDITION BOARDS TOTALLY RUST FREE (BRIGHT /SHINING)
12. Depth: Minimum depth of two furrow 6 inches, single furrow 5 inches in stubble and 5" and 4" in grassland.
13. Opening split is compulsory in stubble only in the Two Furrow Mounted and Two Furrow Trailer Classes . In the Single Furrow Class no scribe or scribing is allowed.
14. Adjustable or snap top links are allowed in the Two Furrow Mounted Class. Hydraulic top links not allowed.
15. In the Single Furrow Class, brushing of the two front sods is optional and only allowed in one round.



16. Reversible or larger disc coulters can be used. These may be adjustable from side to side (not rigid).
17. Tractors must be insured to plough at ploughing matches The driver must be over 16 years of age and have a current drivers licence and must be insured to drive the tractor at Ploughing Matches. THIS IS EXTREMELY IMPORTANT TO HAVE IN PLACE. YOU MAY BE ASKED FOR SAME AT ANY MATCH
18. The Single Furrow Class is now confined to a Farmhall Cub Size class i.e. the tractor must be under 16 HP and the plough must be original not a cut down plough.
19. Land wheels must be no wider than 4" (102mm) and cannot have a marking disc fitted, movement of the Land wheel towards and away from the plough is allowed. See appendix at bottom re new wheel marker arrangement from 2020 onwards.
20. Hillside levers or adjusters on the lower link arms are not allowed. Stabiliser Bars and chains are allowed. Quick entry lever allowed on side arm from 2020, see end of last page
21. Only one set of skimmers will be permitted for use on any plough. Skimmer blades must be original or from the same era. Holders can be changed but must be similar to original manufacturers design and size.
22. A maximum of 3 idle runs only, allowed in all classes from commencement of split-out to end of competition. Dual wheels on tractors not allowed.
23. Differential lock on Ferguson 35 not allowed. If fitted must be rendered unusable during competition.
24. All competitors must start with the higher plot number on their right hand side. Penalty if not adhered to.
25. The plough land wheel must follow within the left-hand rear wheeltrack on the last run when ploughing the sole sod (2F Mounted only)
26. Match ploughs or match plough bodies not allowed e.g. Ransome TCN, UCN or SCN (e.g. Ransome TS86), There may be others which have not been identified, yet, will be monitored regularly at matches.
27. A competitor may not drive on the two outer sods of the split out at anytime even after it has been judged you may not/role the rippings the chip may be put in the centre but the r/h front wheel must be in the furrow when doing so.
28. Screw crossshaft allowed (passed at 2014 A.G.M.)

"Only if the above rules are complied with, will a person be allowed to compete. The Vintage Ploughing Association will not accept any responsibility whatsoever regarding insurance claims.
29. Helpers not allowed inside perimeter rope /fence/scribe, after sighting poles have been removed.
30. ONE MAN ONE PLOUGH DURING COMPETITION, NO HELP FROM HEADLAND.
31. Only three fixed sighting poles allowed, one may be set up outside scribe.
32. 20 MARK PENALTY FOR FURROW TURNED WRONG WAY.
33. All 2 furrow plots must be ploughed with both bodies in alternate rounds, with the exception of opening, casting off and finishing, when a single sod may be ploughed. No alterations or fixing of the plough is permitted so as to plough a single furrow during the competition
34. A competitor may not interfere with their plot in any way until the morning of the competition, and this only allows picking of loose straw and stones, no raking or levelling tramlines or unevenness etc. with pike or otherwise.

---

**ALL OTHER DECIPLINARY AND GENERAL RULES OF N.P.A. (RELATIVE) WILL APPLY TO V.P.A.I. AT ALL TIMES.**

**“Competitors will be penalised min 5 penalty marks for each infringement of any rule at all matches.”**

**P.S. QUICK ENTRY ON SIDE ARM AND WHEEL MARKER VOTED IN AT 2019 AGM, ONLY APPLIES FOR 2020 QUALIFYING MATCHES AND ONWARDS. NOT ALLOWED IN 2019 FINALS.**

**WHEEL CAN HAVE MARKING DISC FITTED, AGREED AT AGM 2022.**

---

**Note: For ALL Competitors  
Tractors & Ploughs to be parked  
in Assembly Area ONLY**



# 2024/2025

## VINTAGE PEDESTRIAN TRACTOR GROUP PLOUGHING RULES

### 1. TRACTOR

All models of tractor must have been in production before 31st December 1959.

### 2. PLOUGHS - SINGLE FURROW ONLY

Maximum length of mouldboard 36"

- a). Only ploughs which were in production prior to 31st December, 1959 may be used.
- b). Plough bodies to be designed for plough at time of manufacture.
- c). Only one right-hand skimmer and a one piece tailpiece allowed - no other attachments allowed.
- d). Extraneous attachments that manipulate the furrows or scratches are not allowed.
- e). Plot: Size of plot to be ploughed shall be a minimum of 30 yards by 7 yards and a maximum of 40 yards by 10 yards.

### 3. TIME ALLOWED

30 minutes for opening. Penalty for failure to finish opening on time - 2 points per minute or part minute.

- a). 40 minutes for openings to be judged.
- b). 4 hours to complete the plot.
- c). 15 minutes for any cast-off made after commencement of ploughing.
- d). Penalty for failure to finish plot at finish signal - 10 points per minute or part minute.

### 4. OPENING

- a). Double opening split with chip-in - no land left unturned.
- b). On grassland there is no opening.

### 5. START

- a). The start shall consist of the first 6 furrows.
- b). Competitors must cast towards the next highest numbered plot.

### 6. FINISH

- a). The finish shall consist of the last 6 furrows.
- b). The last furrow to be ploughed towards competitors' own start.
- c). The final furrow to be ploughed shall be a black sod.

### 7. DEPTH

Depth to be reached on completion of start and adhered to until commencing the finish. Minimum depth 12 cm.

### 8. GENERAL

- a). The first and second runs next to the neighbours plot will be allowed as straightening furrows and will not be judged.
- b). Rolling of furrows or scratches is not allowed. Penalty - 20 points deduction.
- c). Twin tractor wheels not allowed.
- d). Three sighting poles only (one can be placed on the headland) - assistance to set and remove is allowed. No other assistance allowed including no assistance by signal, radio contact, mobile phone or any other method.
- e). Handling, shaping or treading of scratches or furrows is not allowed.
- f). Maximum of two wheel marks allowed at the finish (note: if two wheel marks, they must be on the neighbours side of the finish).



- g). Only the competitor allowed to clean the plot of straw, stones, etc. Clearing stubble is not allowed and will be penalized
  - h). Competitors must produce evidence of age of tractor if requested.
  - i). The use of Global Positioning Technology, laser beams or any other electronic or computerised measuring devices are not allowed.
  - j). Any abuse or dispute by a competitor with an official or fellow competitor is not acceptable Penalty - 20 points.
  - k). Plough must not be put in the ground on the site other than when ploughing the plot. Penalty - disqualification.
- 9. SAFETY**  
National Ploughing Association Safety Policy must be adhered to at all times.
  - 10. FINAL DECISION**  
Any question arising and not provided for in these rules shall be decided by the Executive Committee of the Vintage Pedestrian Tractor Group whose decision shall be final and binding.
  - 11.** Vintage Pedestrian Tractor Class at the National Ploughing Championships is limited to max. number of 6 competitors.



# 2024/2025

## LOY ASSOCIATION OF IRELAND QUALIFICATION CRITERIA FOR NATIONAL PLOUGHING CHAMPIONSHIPS

- Entry to the Loy Digging competition at National Ploughing Championships is open to people over the age of 14 years in the year of competition.
- Maximum of 2 Senior diggers may represent each county in Senior class
- 1 junior digger may represent each county. Counties who don't enter 2 senior diggers may enter 2 persons in the junior class.
- 2 persons from each county may dig in the U21 class, 2 persons from each county may dig in the Senior Ladies class and one in Junior Ladies Class or 2 in Junior Ladies Class and 1 in Senior Ladies Class at discretion of the County Ploughing.
- A maximum of 7 people may compete in the Loy Digging category from each county at the National Ploughing Competition.
- Under 21 competitors must be under 21 years on the 1st of January in year of competition. Age must be verified by County Secretaries.
- Persons must qualify for the National Ploughing by competing at a County Ploughing Match within their own county in that year. (Year runs from after last National Ploughing Championships up to close of entry).
- Persons must have and address in the county they represent for at least 1 year.
- Entry forms for Loy Competition will be sent to County Secretaries of each county and must be filled in and signed by persons who wish to partake in the Loy Competition at the National Ploughing Championships. The completed form plus relevant entry fee must be received by the Secretary of the Loy Association on the date stated on the form as determined at the most recent AGM of the Loy Association. (€10 annual membership of the Loy Association must also be paid if not already paid at this time).
- Some discretion will be allowed at county ploughing matches where County Ploughing Associations may allow Loy Diggers to dig within whatever category they see fit to help encourage more participants within their county and then the county board will make the final decision on who is eligible to qualify for National Competition keeping in mind the eligibility criteria above.
- Loy competitions must adhere to the Code of Conduct of the Loy Association and rules of National Ploughing Association when attending County Ploughing matches and National Ploughing.
- Some discession may be given to time within reason at county matches where Loy Association members are assisting or encouraging new Loy diggers in competition.
- Judging will be on a natural Style of digging.

# LOY ASSOCIATION OF IRELAND

## RULES AND PROCEDURES

### RULES OF LOY DIGGING COMPETITION

1. The Loy may be right footed or left footed, traditional with no adjustments of any kind allowed.
2. Competitors are allowed to erect lines and pegs (2 lines 4 pegs) on their plot before the starting signal, but must remove all lines before commencing digging. 10 penalty marks after one warning will be applied for not lifting lines.
3. Competitors must stop digging when the final whistle is blown. A red flag will be put down where the last sod is turned. The competitor may then finish digging the plot. (10 penalty marks for unfinished plot plus 1 mark per foot from red flag.
4. Competitors must leave the competition area when digging is complete and may acquire 10 penalty marks if he/she walks across his/her own or another competitors plot before judging is complete.
5. Re-aligning allowed with the Loy only from the digging position and this can be done only with the Loy and not hands of feet. (10 penalty marks may be given by supervisors for noncompliance).
6. No assistance from the side-lines is allowed at National Ploughing Championships.
7. 2.75 hours is the allocated time allowed to complete a Loy Plot.
8. A Plot shall consist of 3 rows of sods consistent in appearance.

### PROCEDURES

1. Competitors competing at the National Ploughing Championships must have submitted entry through the Secretary of The Loy Association of Ireland and paid their annual membership to the Loy Association of Ireland.
2. Submission of an entry will be regarded as an acceptance of all rules and regulations and the preparedness of a competitor to observe them or submit to penalties for breaches of same.
3. To commence a competitor may set up 2 lines 4 pegs 46 inches apart. The plot consisting of 1 full ridge which should be 46 inches wide and a third row of sods of 10.5 inches. (3 row of sod, one green centre, and main furrow)
4. Senior diggers must not use a measuring tape after putting down their 2 lines and may use a stick only while digging the first 3 sods in each row.
5. When the starting signal is sounded nicking commences. Both lines must be nicked and the lines lifted before digging commences.
6. On a base of 3ft 10 inches a full ridge will consist of 2 sods, turned towards each other leaving a verge in the centre. Each sod should be 10.5 inches wide with a centre verge of 3 to 4 inches wide. Recommended depth of furrow is 3-4 inches.
7. Ridge length, Seniors, Juniors dig 30 feet, U21 dig 20 feet and Ladies Senior and Junior dig 14 feet.
8. Judging will be on a Natural Style of digging.



# 2024/2025

## CODE OF CONDUCT FOR LOY ASSOCIATION OF IRELAND MEMBERS

- Members to show respect for each other and avoid any form of harassment or discrimination towards fellow members.
  - Members must act in a professional manner when representing the Loy Association at events and where possible attend events to promote the Loy Association.
  - It is important that all members are given an opportunity to view any concerns or issues at an AGM/meeting or workshop and respect must be shown at all times whilst resolving these concerns or issues.
  - Matters concerning the running of the Loy Association must not be discussed outside the organisation and any grievance a member may have should be brought to the Officer board of the Loy Association.
- Members must not take it upon themselves to represent the Loy Association by going to any media outlet (newspaper, Facebook, internet etc.) to highlight grievances associated to the Loy Association without full permission of the officer board of the Loy Association.
  - Judges and supervisors must carry out their duty in line with policies and procedures of the Loy Association and judges must always adhere to decisions taken in relation to the style of digging at a Loy workshop. Abuse of any kind towards judges or supervisors is not acceptable.
- Any member violating the code of conduct of the Loy Association may be suspended or removed as a member of the Loy Association.**